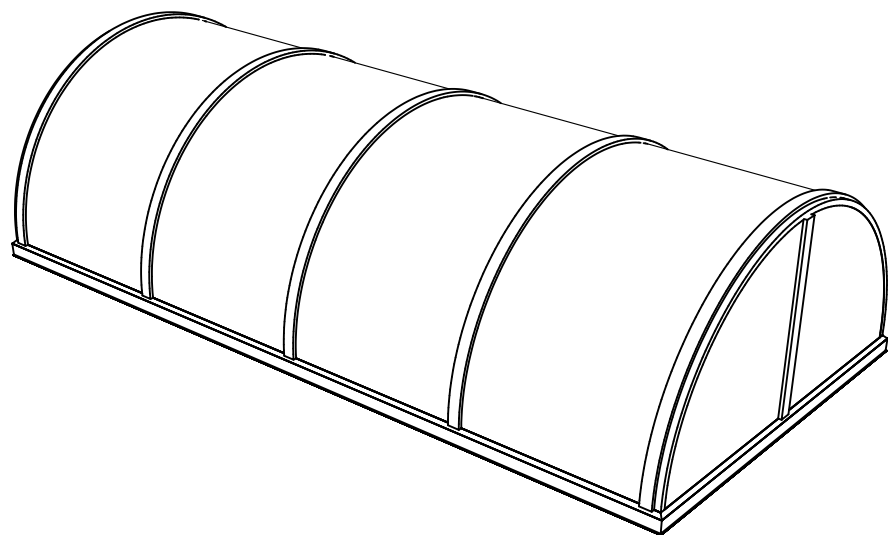


B
SKC-017

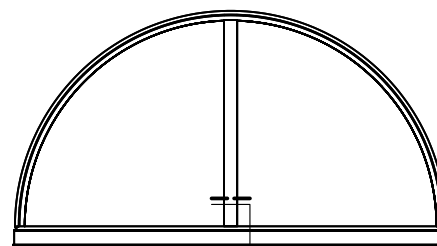
C
SKC-017

A
SKC-017

PLAN



PERSPECTIVE



B
SKC-017

ELEVATION