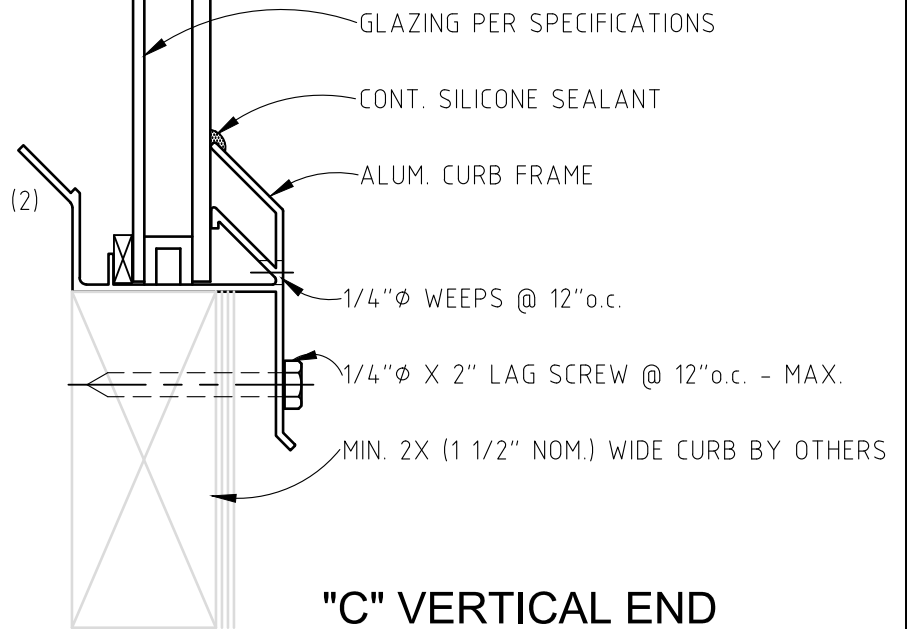
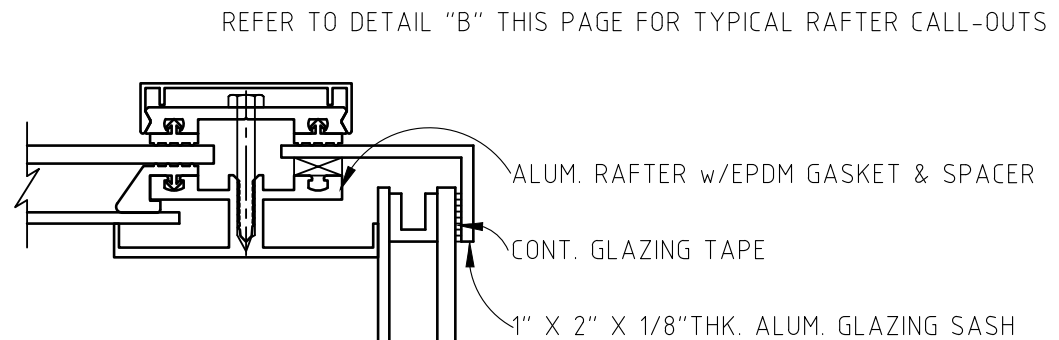
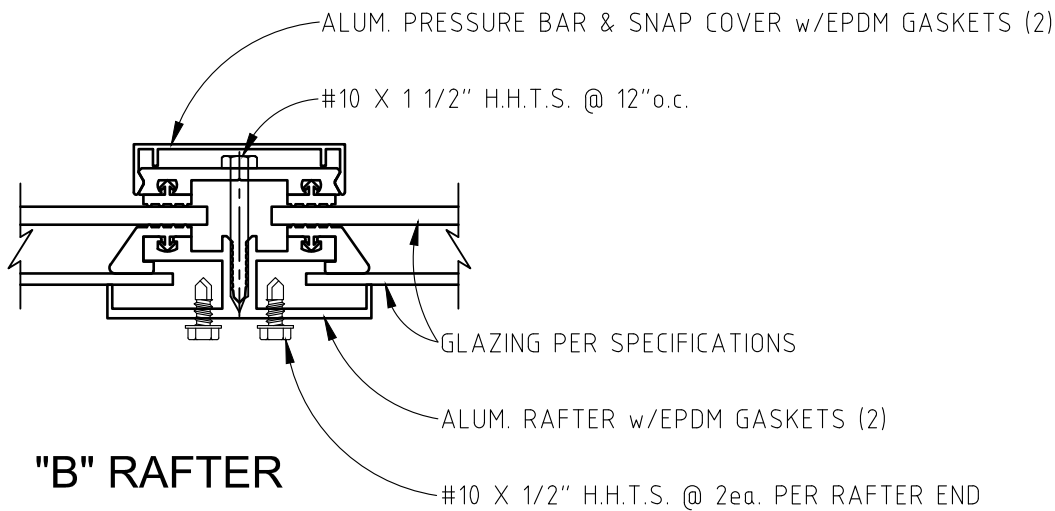


"A" SLOPED SILL



"C" VERTICAL END



"B" RAFTER