

SKYCO

SKYLIGHTS

949-629-4090

FRAME FINISH

G90 GALVANIZED

FUSIBLE LINK TEMP. OPTIONS

165° UL/FM 286° UL/FM OTHER

212° UL/FM 370° UL/FM

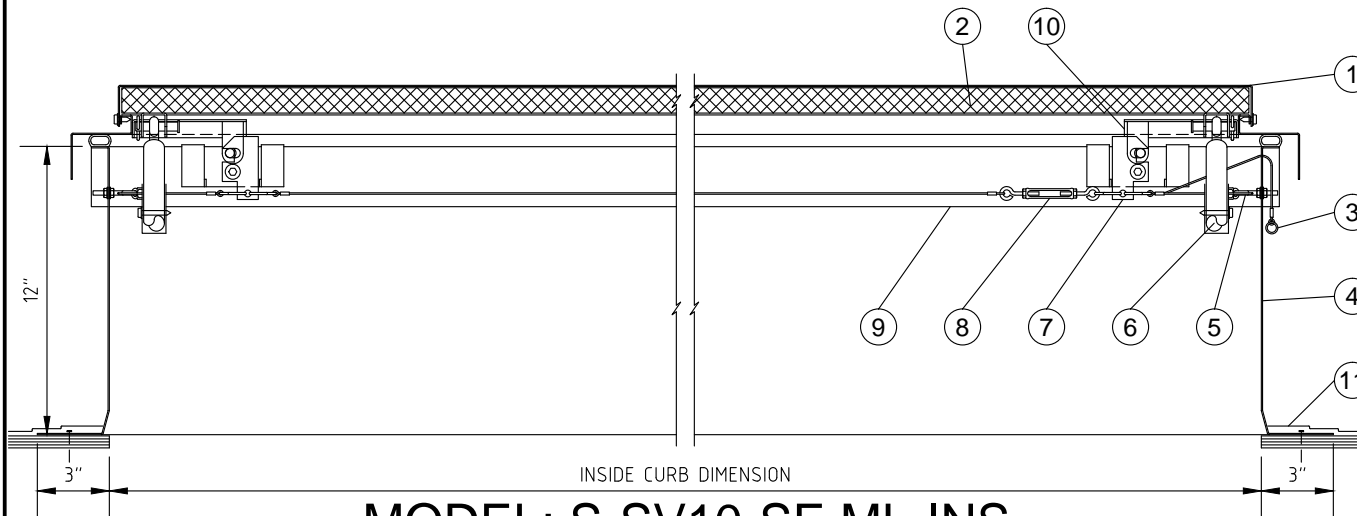
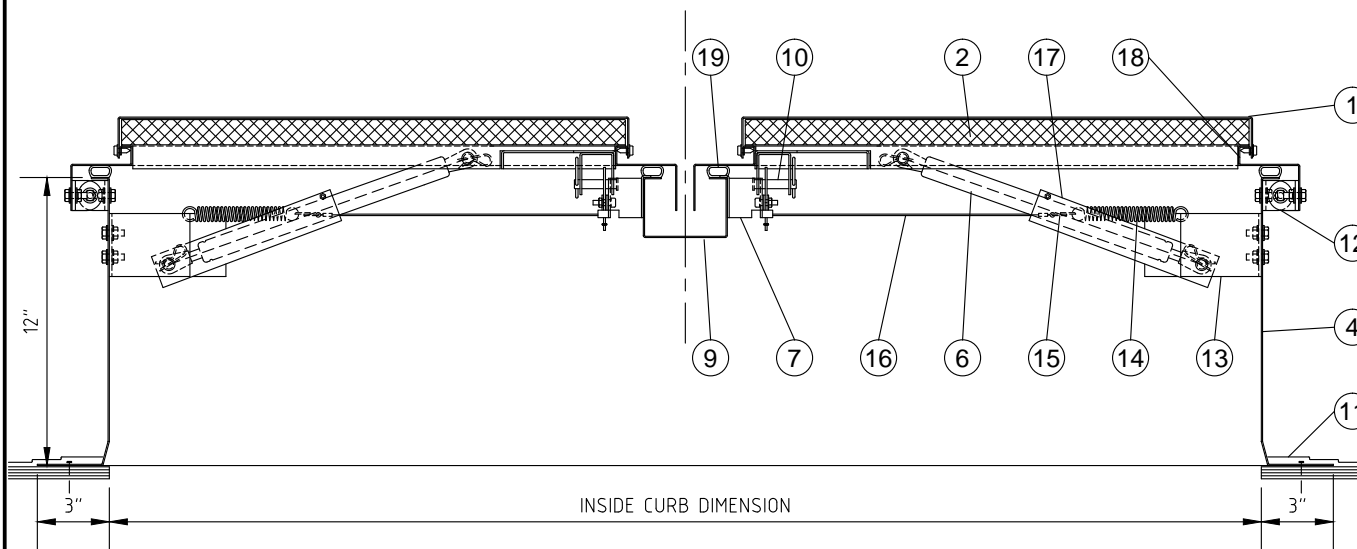
MANUAL RELEASE OPTIONS

INSIDE RELEASE

OUTSIDE RELEASE

BOTH

- 1) G.I. STEEL LID
- 2) 1" THK. RIGID INSULATION
- 3) EXTERIOR MANUAL RELEASE SHOWN
- 4) 12" G.I. STEEL SELF FLASHING FRAME
- 5) EYEBOLT & PULLEY ASSEMBLY
- 6) LIFTING SHOCK
- 7) LATCH ASSEMBLY
- 8) OPEN EYE TURNBUCKLE
- 9) G.I. STEEL GUTTER
- 10) STRIKER ASSEMBLY
- 11) ROOFING BY OTHERS
- 12) G.I. STEEL HINGE ASSEMBLY
- 13) LOWER SHOCK BRACKET
- 14) 0.080" TENSION SPRING
- 15) FUSIBLE LINK - SPECIFY TEMP
- 16) 0.060" 7 STRAND STEEL CABLE
- 17) G.I. STEEL SHOCK LOCK CHANNEL
- 18) G.I. STEEL DOME FRAME
- 19) EPDM BULB GASKET



MODEL: S-SV10-SF-ML-INS

SCALE : 1 1/2" = 1'-0"

MODEL	INSIDE CURB DIM.	QTY.
SQUARE		
4848	48" x 48"	
RECTANGULAR		
4896	48" x 96"	
10 PSF		

CURB MOUNT STEEL FRAME DUAL METAL LID SMOKE VENT

PROJECT:	PROJECT ADDRESS:	APPROVED BY:	DATE:
CUSTOMER:	CUSTOMER PHONE:	REV. #	JOB #
		DATE:	DRAWING #:
			SKSV-004