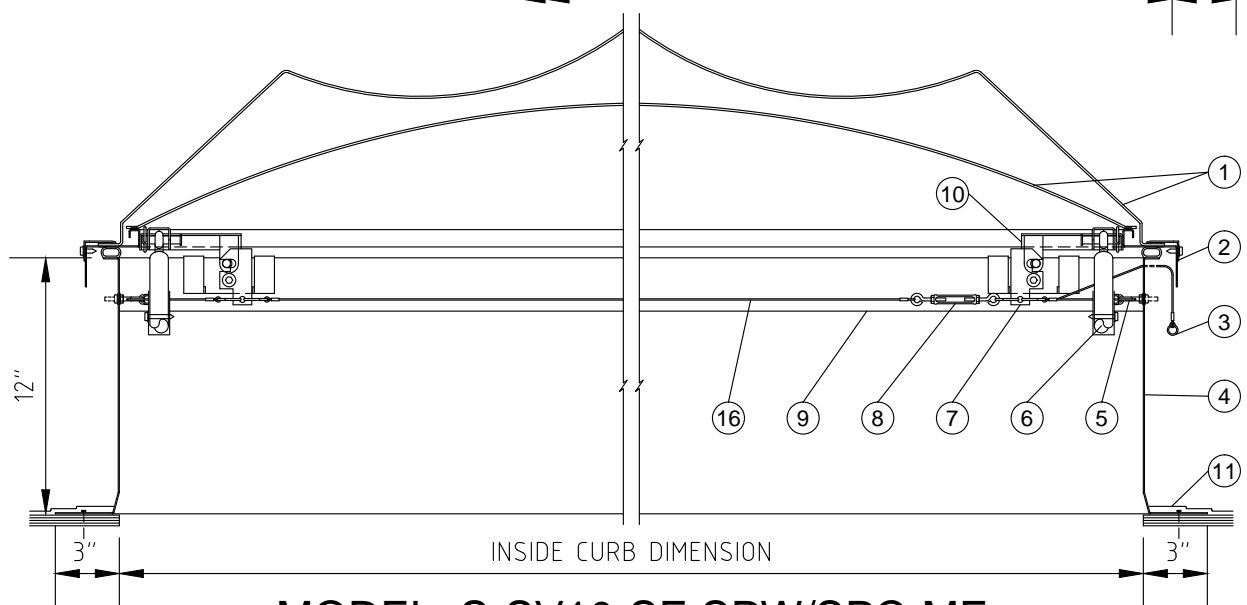
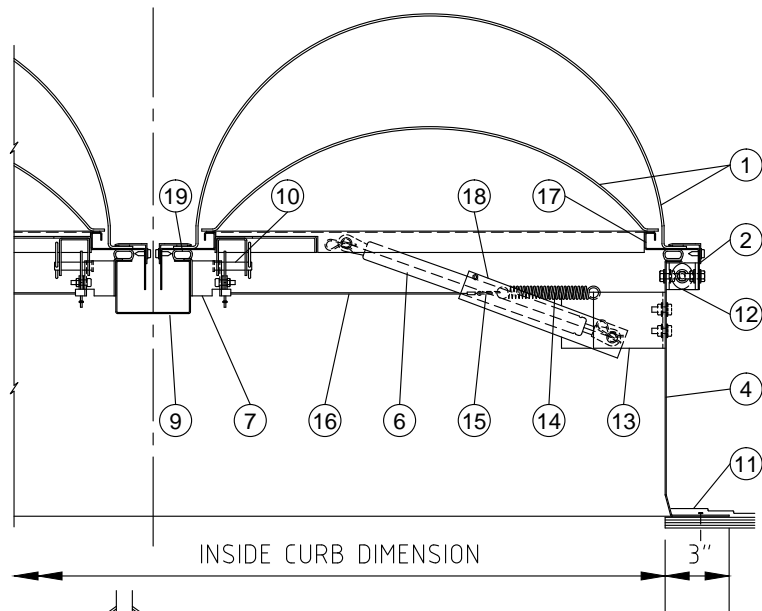


- 1) DUAL SKYPRO ARCHED DOME
- 2) ALUM. DOME CAP
- 3) EXTERIOR MANUAL RELEASE SHOWN
- 4) 12" G.I. STEEL SELF FLASHING BASE
- 5) EYEBOLT & PULLEY ASSEMBLY
- 6) LIFTING SHOCK
- 7) LATCH ASSEMBLY
- 8) OPEN EYE TURNBUCKLE
- 9) G.I. STEEL GUTTER
- 10) STRIKER ASSEMBLY
- 11) ROOFING BY OTHERS
- 12) G.I. STEEL HINGE ASSEMBLY
- 13) LOWER SHOCK BRACKET
- 14) 0.080" TENSION SPRING
- 15) FUSIBLE LINK - SPECIFY TEMP
- 16) 0.060" 7 STRAND STEEL CABLE
- 17) G.I. STEEL SHOCK LOCK CHANNEL
- 18) G.I. STEEL DOME FRAME
- 19) EPDM BULB GASKET



**MODEL: S-SV10-SF-SPW/SPC-MF**

# SKYCO

SKYLIGHTS  
949-629-4090

FRAME FINISH

G90 GALVANIZED

FUSIBLE LINK TEMP. OPTIONS

165° UL/FM    286° UL/FM    OTHER  
 212° UL/FM    370° UL/FM   \_\_\_\_\_

MANUAL RELEASE OPTIONS

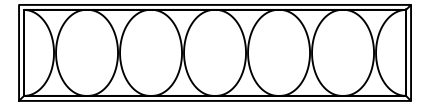
INSIDE RELEASE                       BOTH  
 OUTSIDE RELEASE

SKYPRO DUAL GLAZING

OUTER DOME

SKYPRO WHITE POLYCARBONATE (SPW)  
 INNER DOME  
 CLEAR COLORLESS POLYCARB. (SPC)

SKYPRO SKYWAVE DOME



PLAN VIEW



SIDE ELEVATION



END ELEVATION

MODEL	INSIDE CURB DIM.	QTY.
	SQUARE	
4848	48" X 48"	
	RECTANGULAR	
4896	48" X 96"	

10 PSF

SELF FLASHING INSULATED STEEL FRAME SKYPRO DUAL DOME DUAL LID SMOKE VENT

PROJECT:		PROJECT ADDRESS:		APPROVED BY:		DATE:	
CUSTOMER:		CUSTOMER PHONE:		REV. #	JOB #:	DATE:	DRAWING #: SKSV-012