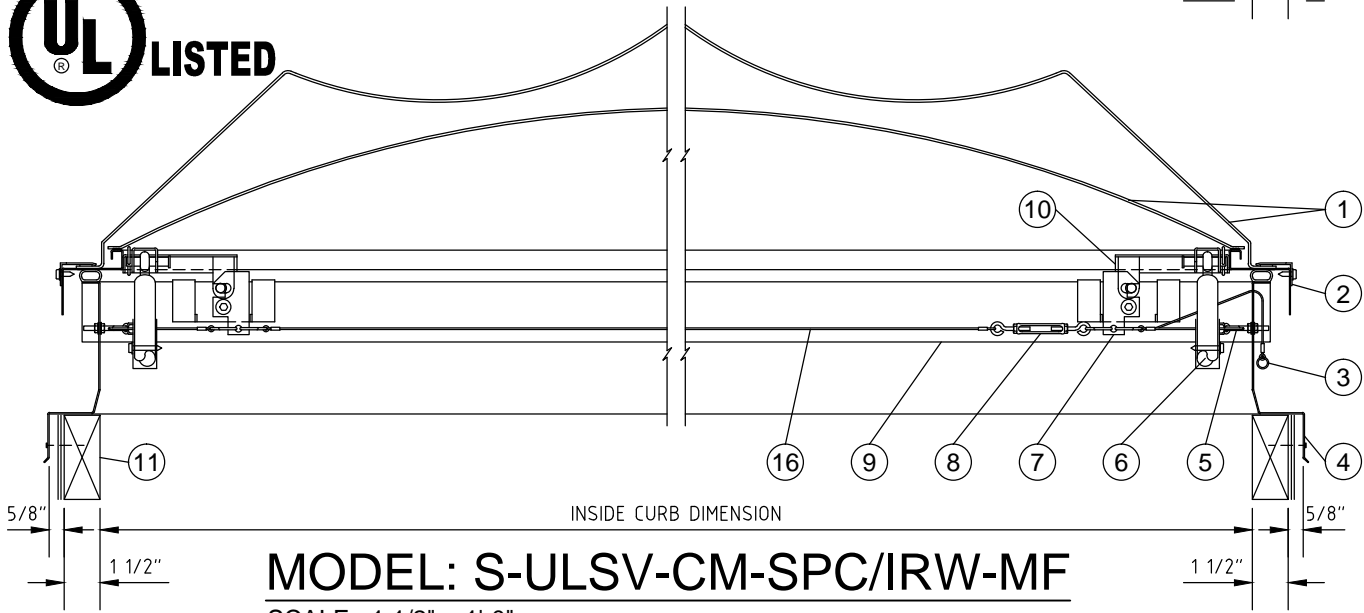
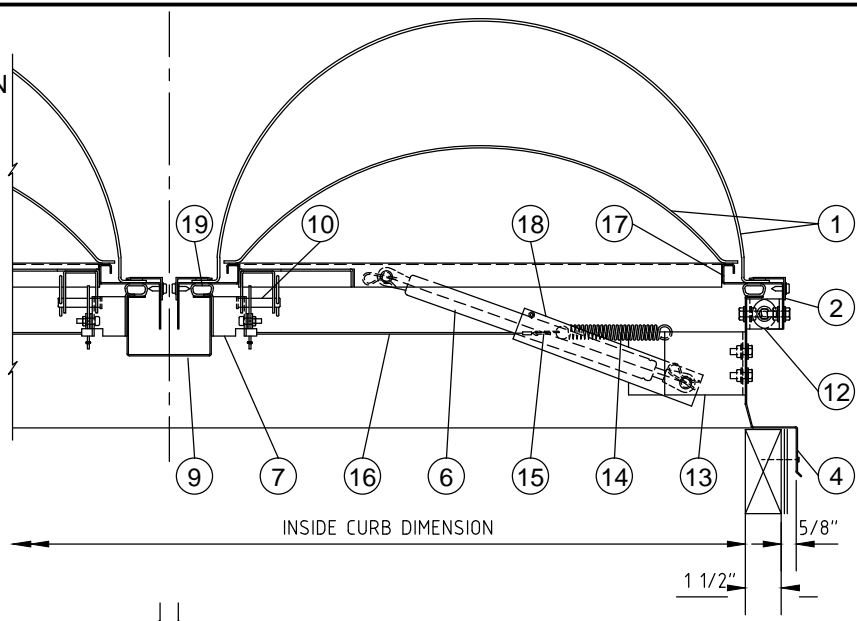


- 1) DUAL SKYPRO IR ARCHED DOME
- 2) ALUM. DOME CAP
- 3) EXTERIOR MANUAL RELEASE SHOWN
- 4) G.I. STEEL CURB FRAME
- 5) EYEBOLT & PULLEY ASSEMBLY
- 6) LIFTING SHOCK
- 7) LATCH ASSEMBLY
- 8) OPEN EYE TURNBUCKLE
- 9) G.I. STEEL GUTTER
- 10) STRIKER ASSEMBLY
- 11) 2X WIDE (1 1/2") CURB BY OTHERS
- 12) G.I. STEEL HINGE ASSEMBLY
- 13) LOWER SHOCK BRACKET
- 14) 0.080" TENSION SPRING
- 15) FUSIBLE LINK - SPECIFY TEMP
- 16) 0.060" 7 STRAND STEEL CABLE
- 17) G.I. STEEL SHOCK LOCK CHANNEL
- 18) G.I. STEEL DOME FRAME
- 19) EPDM BULB GASKET



MODEL: S-ULSV-CM-SPC/IRW-MF

SCALE : 1 1/2" = 1'-0"

COMPLIES WITH UL 793

SKYCO

SKYLIGHTS

949-629-4090

FRAME FINISH

G90 GALVANIZED

FUSIBLE LINK TEMP. OPTIONS

165° UL/FM 286° UL/FM OTHER

212° UL/FM 370° UL/FM

MANUAL RELEASE OPTIONS

INSIDE RELEASE

BOTH

OUTSIDE RELEASE

SKYPRO DUAL GLAZING

OUTER ARCHED DOME

SKYPRO CLEAR POLYCARBONATE (SPC)

INNER DOME

WHITE IR HEAT STOP ACRYLIC (IRW)

SKYPRO SKYWAVE DOME



PLAN VIEW



SIDE ELEVATION



END ELEVATION

MODEL	INSIDE CURB DIM.	QTY.
SQUARE		
4848	48" x 48"	
RECTANGULAR		
4896	48" x 96"	

UL LISTING #:	E472388	UL 10 PSF	VLT = 54%
			SHGC = 0.27
			U-FACTOR = 0.50

CURB MOUNT STEEL FRAME SKYPRO IR HEAT STOP DUAL DOME DUAL LID SMOKE VENT

PROJECT:	PROJECT ADDRESS:	APPROVED BY:	DATE:
CUSTOMER:	CUSTOMER PHONE:	REV. #	JOB #:
		DATE:	DRAWING #:
			SKUL-10HS