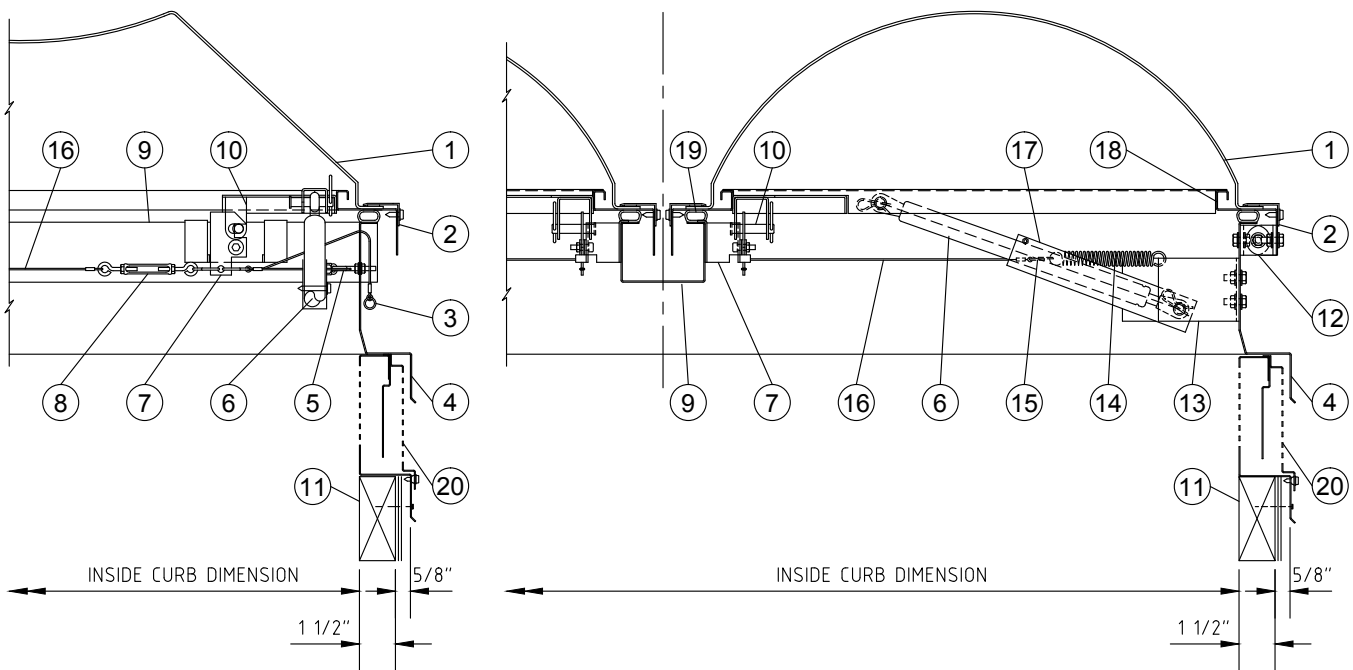


- 1) SINGLE SKYPRO ARCHED DOME
- 2) ALUM. DOME CAP
- 3) EXTERIOR MANUAL RELEASE
- 4) G.I. STEEL SMOKE VENT BASE
- 5) EYEBOLT & PULLEY ASSEMBLY
- 6) LIFTING SHOCK
- 7) LATCH ASSEMBLY
- 8) OPEN EYE TURNBUCKLE
- 9) G.I. STEEL GUTTER
- 10) STRIKER ASSEMBLY
- 11) 2X WIDE (1 1/2") CURB BY OTHERS
- 12) G.I. STEEL HINGE ASSEMBLY
- 13) LOWER SHOCK BRACKET
- 14) 0.080" TENSION SPRING
- 15) FUSIBLE LINK - SPECIFY TEMP
- 16) 0.060" 7 STRAND STEEL CABLE
- 17) G.I. STEEL SHOCK LOCK CHANNEL
- 18) G.I. STEEL DOME FRAME
- 19) EPDM BULB GASKET
- 20) VORTEX G.I. STL. CURB MOUNT BASE
- 21) INCLUDES RAIN BAFFLE & BIRD SCREEN STD.



**MODEL: S-ULSV-LV9-CM-SPW-MF**

SCALE : 1 1/2" = 1'-0"



COMPLIES WITH UL 793

# SKYCO

SKYLIGHTS

949-629-4090

FRAME FINISH

G90 GALVANIZED

FUSIBLE LINK TEMP. OPTIONS

165° UL/FM    286° UL/FM    OTHER  
 212° UL/FM    370° UL/FM

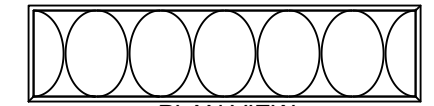
MANUAL RELEASE OPTIONS

INSIDE RELEASE                       BOTH  
 OUTSIDE RELEASE

SKYPRO SINGLE GLAZING

SKYPRO WHITE POLYCARBONATE (SPW)  
 OTHER:

SKYPRO SKYWAVE DOME



UNIT INCLUDES:	MODEL	INSIDE CURB DIM.	QTY.
RAIN BAFFLE		SQUARE	
BIRD SCREEN	4848	48" x 48"	
OPTIONS FOR:		RECTANGULAR	
<input type="radio"/> INSECT SCREEN	4896	48" x 96"	
<input type="radio"/> DUST FILTER			

UL CURB MOUNT STEEL FRAME SKYPRO SINGLE DOME VORTEX LOUVERED DUAL LID SMOKE VENT

UL LISTING #: E472388      UL 10 PSF

PROJECT:

PROJECT ADDRESS:

APPROVED BY:      DATE:

CUSTOMER:

CUSTOMER PHONE:

REV. #      JOB #      DATE:      DRAWING #: SKUL-013