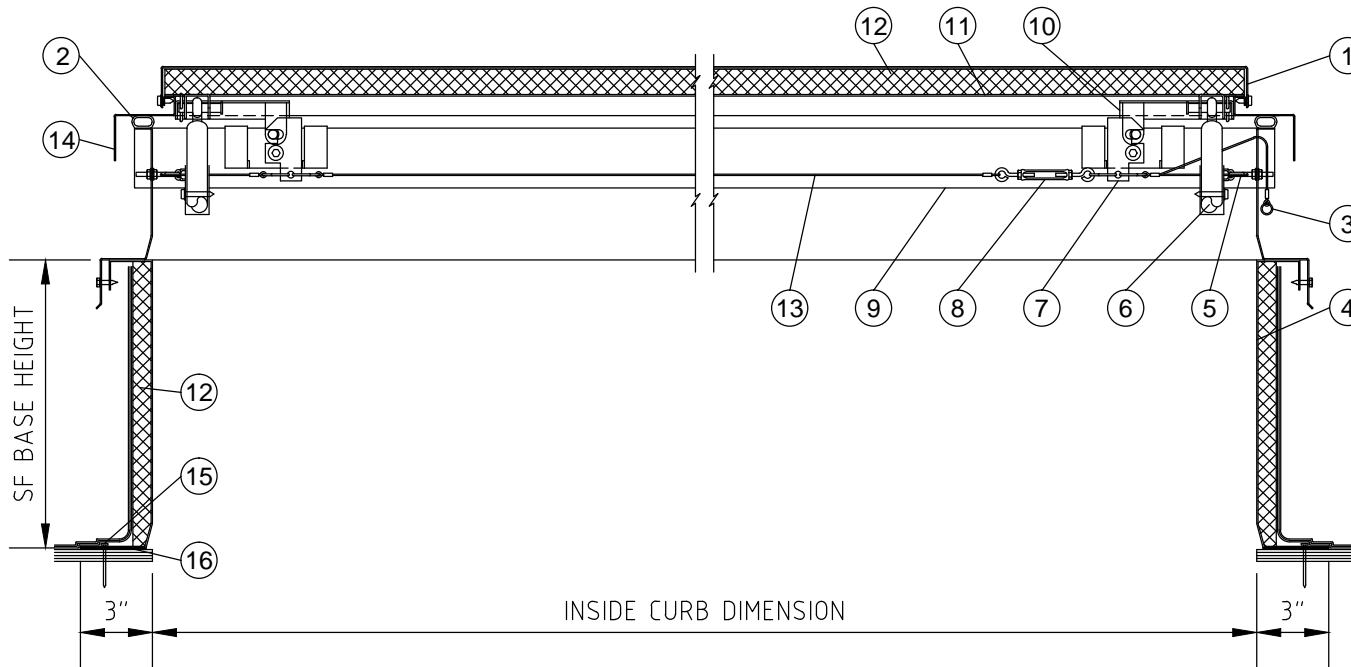


- 1) G.I. STEEL LID
- 2) EPDM BULB GASKET
- 3) EXTERIOR MANUAL RELEASE SHOWN
- 4) G.I. STEEL SELF FLASHING BASE
- 5) EYEBOLT & PULLEY ASSEMBLY
- 6) LIFTING SHOCK
- 7) LATCH ASSEMBLY
- 8) OPEN EYE TURNBUCKLE

- 9) G.I. STEEL GUTTER
- 10) STRIKER ASSEMBLY
- 11) G.I. STEEL LINER
- 12) RIGID INSULATION
- 13) 0.060" 7 STRAND STEEL CABLE
- 14) G.I. STEEL DOME FRAME
- 15) FASTENERS @ 12"o.c. BY OTHERS
- 16) SET FRAME IN ROOFING MASTIC BY OTHERS



MODEL: S-ULSV-SFIC-ML-MF

SCALE : 1 1/2" = 1'-0"

SKYCO

SKYLIGHTS

949-629-4090

FRAME FINISH

G90 GALVANIZED

FUSIBLE LINK TEMP. OPTIONS

165° UL/FM 286° UL/FM OTHER

212° UL/FM 370° UL/FM _____

MANUAL RELEASE OPTIONS

INSIDE RELEASE

BOTH

OUTSIDE RELEASE

SELF FLASHING BASE HEIGHT

4" SF BASE 12" SF BASE

9" SF BASE CUSTOM:

MODEL	INSIDE CURB DIM.	QTY.
SQUARE		
4848	48" x 48"	
6060	60" x 60"	
CUSTOM		
CUSTOM		
RECTANGULAR		
4872	48" x 72"	
4896	48" x 96"	
CUSTOM		
CUSTOM		



COMPLIES WITH UL 793

UL INSULATED SELF FLASHING STEEL FRAME DUAL METAL LID SMOKE VENT

UL LISTING #:	E472388	UL 10 PSF
---------------	---------	-----------

PROJECT:	PROJECT ADDRESS:	APPROVED BY:	DATE:
----------	------------------	--------------	-------

CUSTOMER:	CUSTOMER PHONE:	REV. #	JOB #:	DATE:	DRAWING #:
					SKUL-022