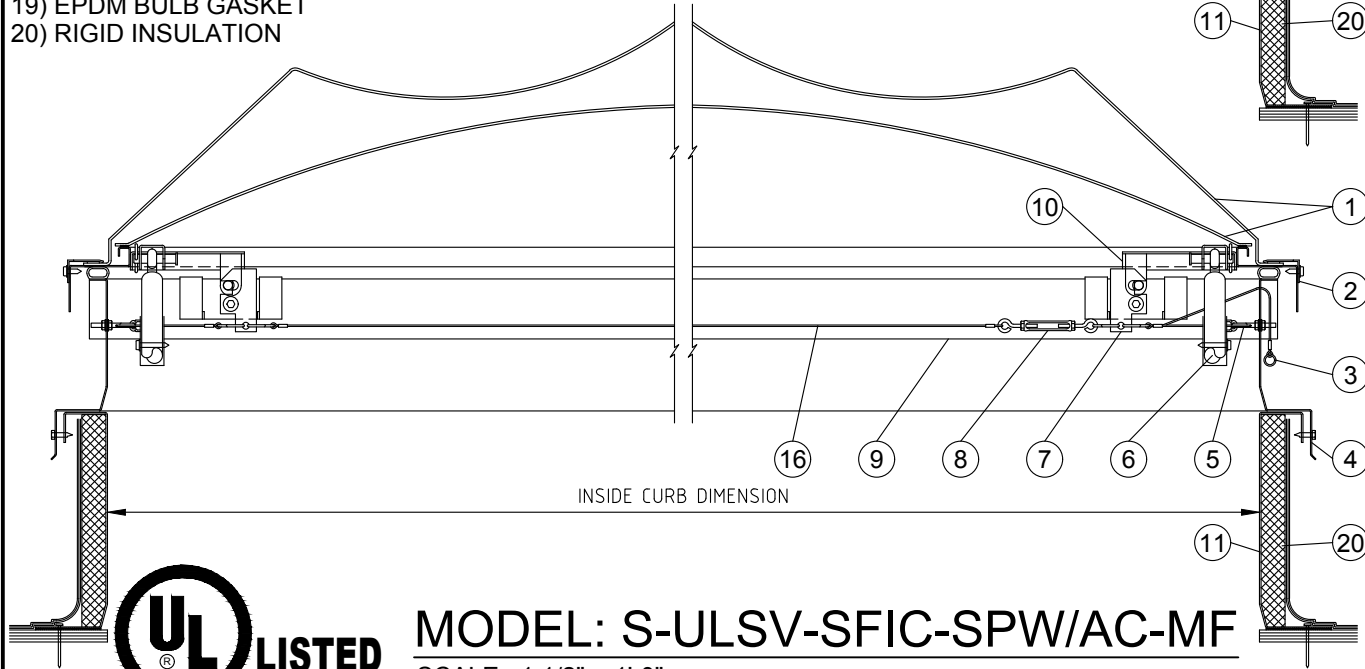
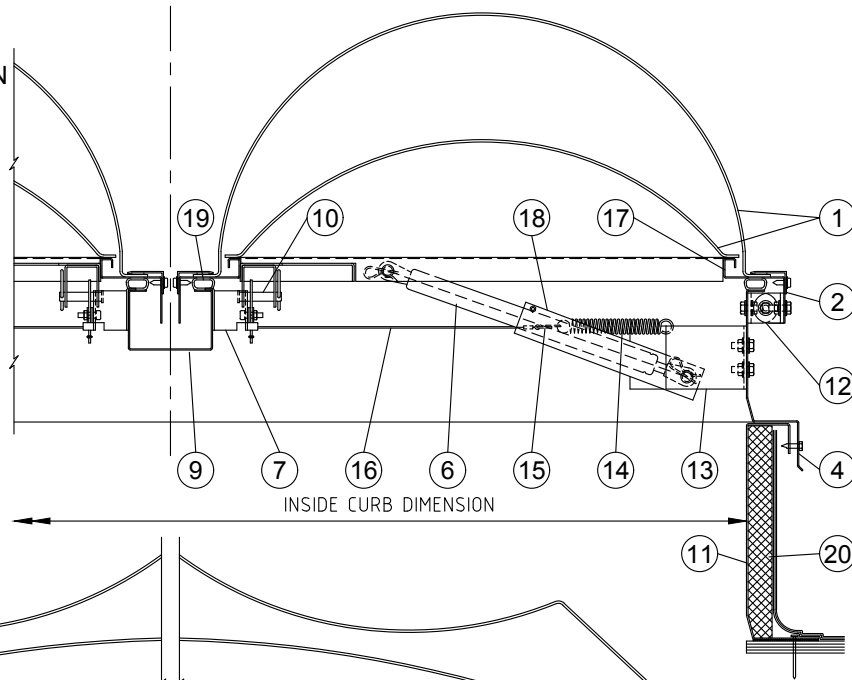


- 1) DUAL SKYPRO ARCHED DOME
- 2) ALUM. DOME CAP
- 3) EXTERIOR MANUAL RELEASE SHOWN
- 4) G.I. STEEL SMOKE VENT FRAME
- 5) EYEBOLT & PULLEY ASSEMBLY
- 6) LIFTING SHOCK
- 7) LATCH ASSEMBLY
- 8) OPEN EYE TURNBUCKLE
- 9) G.I. STEEL GUTTER
- 10) STRIKER ASSEMBLY
- 11) G.I. STEEL SELF FLASHING BASE
- 12) G.I. STEEL HINGE ASSEMBLY
- 13) LOWER SHOCK BRACKET
- 14) 0.080" TENSION SPRING
- 15) FUSIBLE LINK - SPECIFY TEMP
- 16) 0.060" 7 STRAND STEEL CABLE
- 17) G.I. STEEL SHOCK LOCK CHANNEL
- 18) G.I. STEEL DOME FRAME
- 19) EPDM BULB GASKET
- 20) RIGID INSULATION



# SKYCO

SKYLIGHTS

949-629-4090

**FRAME FINISH**

G90 GALVANIZED

**FUSIBLE LINK TEMP. OPTIONS**

165° UL/FM    286° UL/FM    OTHER

212° UL/FM    370° UL/FM

**MANUAL RELEASE OPTIONS**

INSIDE RELEASE

BOTH

OUTSIDE RELEASE

**SELF FLASHING BASE HEIGHT**

4" SF BASE

12" SF BASE

9" SF BASE

CUSTOM:

**SKYPRO DUAL GLAZING**

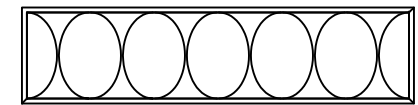
**OUTER DOME**

SKYPRO WHITE POLYCARBONATE (SPW)

**INNER DOME**

CLEAR COLORLESS ACRYLIC (AC)

**SKYPRO SKYWAVE DOME**



PLAN VIEW



SIDE ELEVATION



END ELEVATION

MODEL	INSIDE CURB DIM.	QTY.
4848	48" x 48"	
4896	48" x 96"	



**MODEL: S-ULSV-SFIC-SPW/AC-MF**

SCALE : 1 1/2" = 1'-0"

COMPLIES WITH UL 793

**UL STEEL FRAME INSULATED SELF FLASHING SKYPRO DUAL DOME DUAL LID SMOKE VENT**

UL LISTING #: **E472388**   **UL 10 PSF**

PROJECT:	PROJECT ADDRESS:	APPROVED BY:	DATE:
CUSTOMER:	CUSTOMER PHONE:	REV. #	JOB #
		DATE:	DRAWING #: <b>SKUL-026</b>