

MATERIALS :

ALUMINUM : ALL EXTRUDED ALUMINUM SHALL BE OF 6063-T5 ALLOY AND TEMPER.

FINISH : ALL EXPOSED ALUMINUM SHALL BE PROVIDED IN A STANDARD BRONZE 2 COAT KYNAR PAINT. COLOR TO BE DETERMINED.

GLAZING : SHALL BE 1"THK. I.G.U. CONSISTING OF 1/4"THK. TEMPERED, 1/2" AIRSPACE, 1/4"THK. ANNEALED LAMINATE (1/8 AN, 1/32 PVB, 1/8 AN).

FASTENERS : ALL FASTENERS, LAGS & BOLTS SHALL BE ZINC PLATED UNLESS SPECIFIED OTHERWISE HEREIN.

GLAZING BLOCKS : ALL GLAZING SHALL HAVE 1/4"THK. X 4" LONG THERMOPLASTIC RUBBER (T.P.R.) GLAZING BLOCKS AT THE LOWER CORNERS (4 PLACES) OF EACH GLAZING PANEL OR AS REQUIRED FOR PROPER PLACEMENT OF GLAZING.

GASKETS : GLAZING GASKETS SHALL BE EXTRUDED E.P.D.M. OR CLOSED CELL FOAM GLAZING TAPE AS SPECIFIED HEREIN.

SEALANT : ALL SEALANT SHALL BE DOW-CORNING 795 SILICONE. ALL SEALANT SHALL BE APPLIED IN ACCORDANCE WITH THE MANUFACTURERS STANDARD WRITTEN INSTRUCTIONS. SEE THESE PROJECT DRAWINGS FOR SPECIFIC SEALANT APPLICATIONS.

SEALANT COLOR : TO BE DETERMINED.

DISSIMILAR MATERIALS SEPARATION : AT LOCATIONS WHERE THE SKYLIGHT(S) ALUMINUM CAN CONTACT A DISSIMILAR MATERIAL A SEPARATOR SHALL BE USED. MATERIALS INCLUDE (BUT ARE NOT LIMITED TO) NYLON REINFORCED BACKING TAPE, STAINLESS STEEL, PLASTIC OR ACRYLIC SHIMS AND ASPHALTIC EMULSIVE PAINT.

FABRICATION :

CONFORMANCE : THE FABRICATION AND INSTALLATION OF THE SKYLIGHT(S) SHALL CONFORM TO THE APPROVED SUBMITTAL DRAWINGS HOWEVER SKYCO RESERVES THE RIGHT TO MAKE MINOR DEVIATIONS FROM THE APPROVED SUBMITTAL DRAWINGS AS REQUIRED BY THE FIELD CONDITIONS, MATERIAL AND MANUFACTURING LIMITATIONS, AND STRUCTURAL DESIGN REQUIREMENTS. ANY DEVIATIONS FROM THE APPROVED SUBMITTAL DRAWINGS SHALL MEET STRUCTURAL AND AESTHETIC REQUIREMENTS AND SHALL NOT AFFECT THE PERFORMANCE OR WARRANTY OF THE SKYLIGHT(S). ALL FABRICATION OF THE ALUMINUM FRAMING MEMBERS SHALL CONFORM TO GUIDELINES AS SET FORTH BY THE AMERICAN ALUMINUM MANUFACTURERS ASSOCIATION (A.A.M.A.).

WELDING : ALL WELDING SHALL BE PERFORMED UTILIZING THE HELIARC/TIG PROCESS.


INSTALLATION : SHALL BE BY SKYCO SKYLIGHTS. UNIT TO BE SHIPPED SHOP ASSEMBLED SUB-FRAME / UNGLAZED. PRIOR TO INSTALLATION OF SKYLIGHTS THE INSTALLER SHALL VERIFY THAT THE FIELD CONDITIONS CONFORM TO THE INSTALLATION/FABRICATION DRAWINGS FOR THE PROJECT.

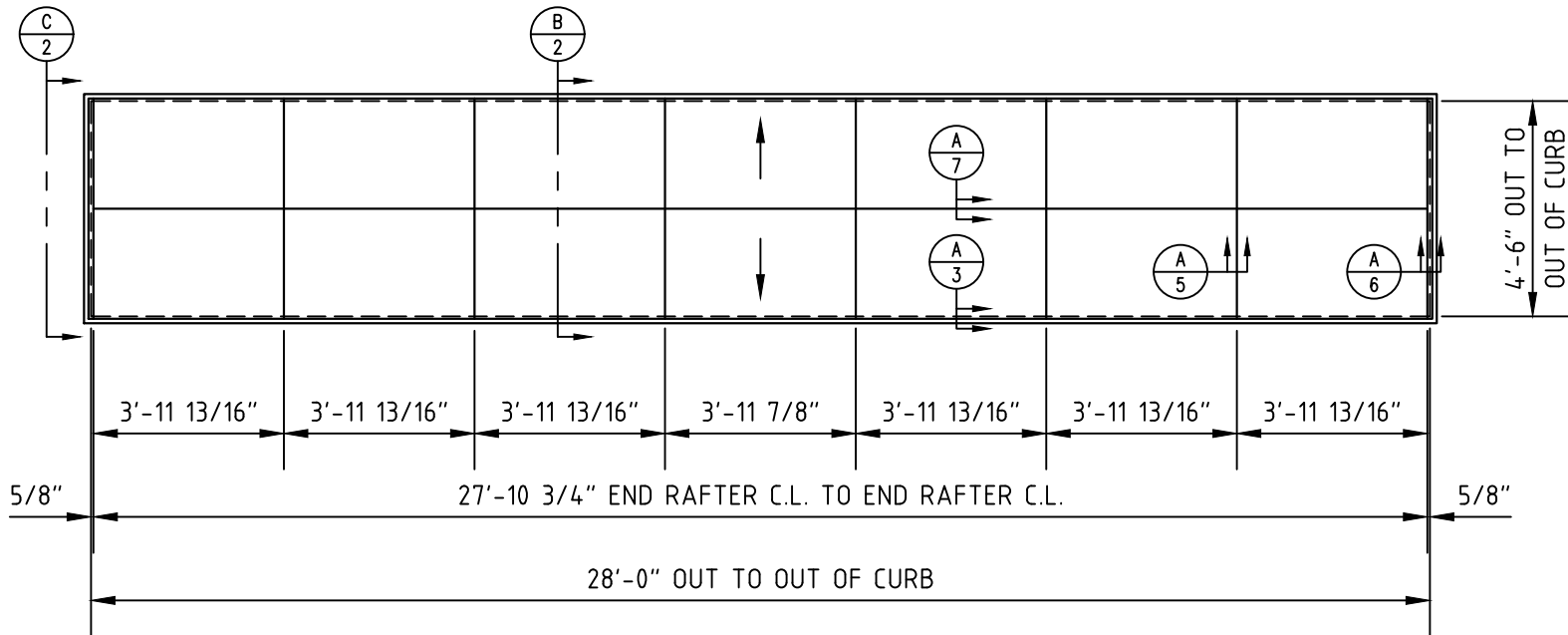
CUSTOMER NOTES :

ALL FIELD CONDITIONS AND DIMENSIONS SHALL BE FIELD VERIFIED PRIOR TO FABRICATION OF UNIT(S). THE UNIT CURBS AND OTHER STRUCTURAL CONNECTIONS SHALL BE REVIEWED BY OTHERS TO RESIST ALL LOADS IMPOSED BY THE SKYLIGHT(S).

THESE DRAWINGS ARE THE PROPERTY OF SKYCO SKYLIGHTS AND ARE SUBMITTED IN CONFIDENCE FOR A SPECIFIC PURPOSE. THEY ARE NOT TO BE DISTRIBUTED NOR ANY INFORMATION OR DESIGNS CONTAINED HEREIN DISCLOSED TO OTHERS.

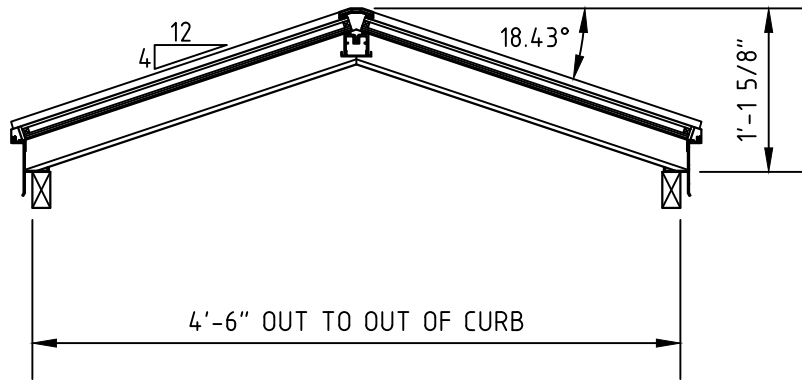
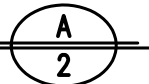


CUSTOMER NAME :		CUST. ADDRESS :		CUSTOMER PHONE :	
PROJECT NAME :		PROJ. ADDRESS :		CONTACT NAME :	
INDUSTRIAL , COMMERCIAL, RESIDENTIAL & CUSTOM SKYLIGHTING SYSTEMS		2995 AIRWAY AVENUE, SUITE B COSTA MESA, CALIFORNIA 92626 Phone (949) 629-4090 Fax (949) 629-4088	REV. # 	JOB # :	DATE :
				PAGE : 1	OF : 7



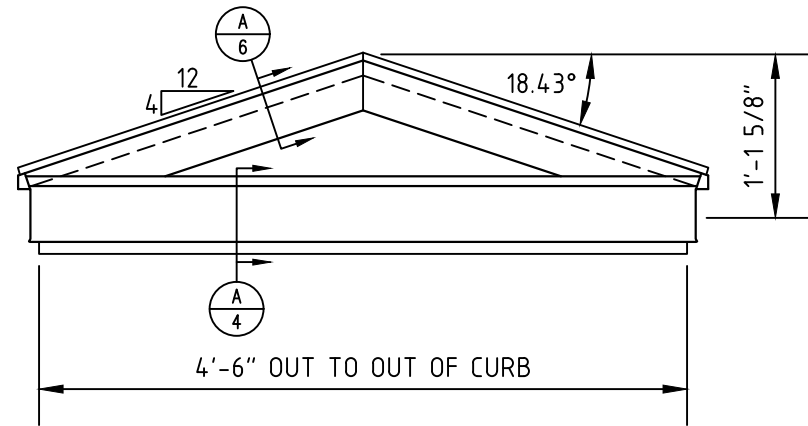
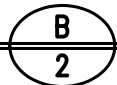
UNIT PLAN VIEW

SCALE: 1/4" = 1'-0"
 QUANTITY: ONE (1) AS SHOWN



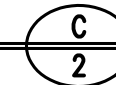
UNIT FULL SECTION

SCALE: 3/4" = 1'-0"

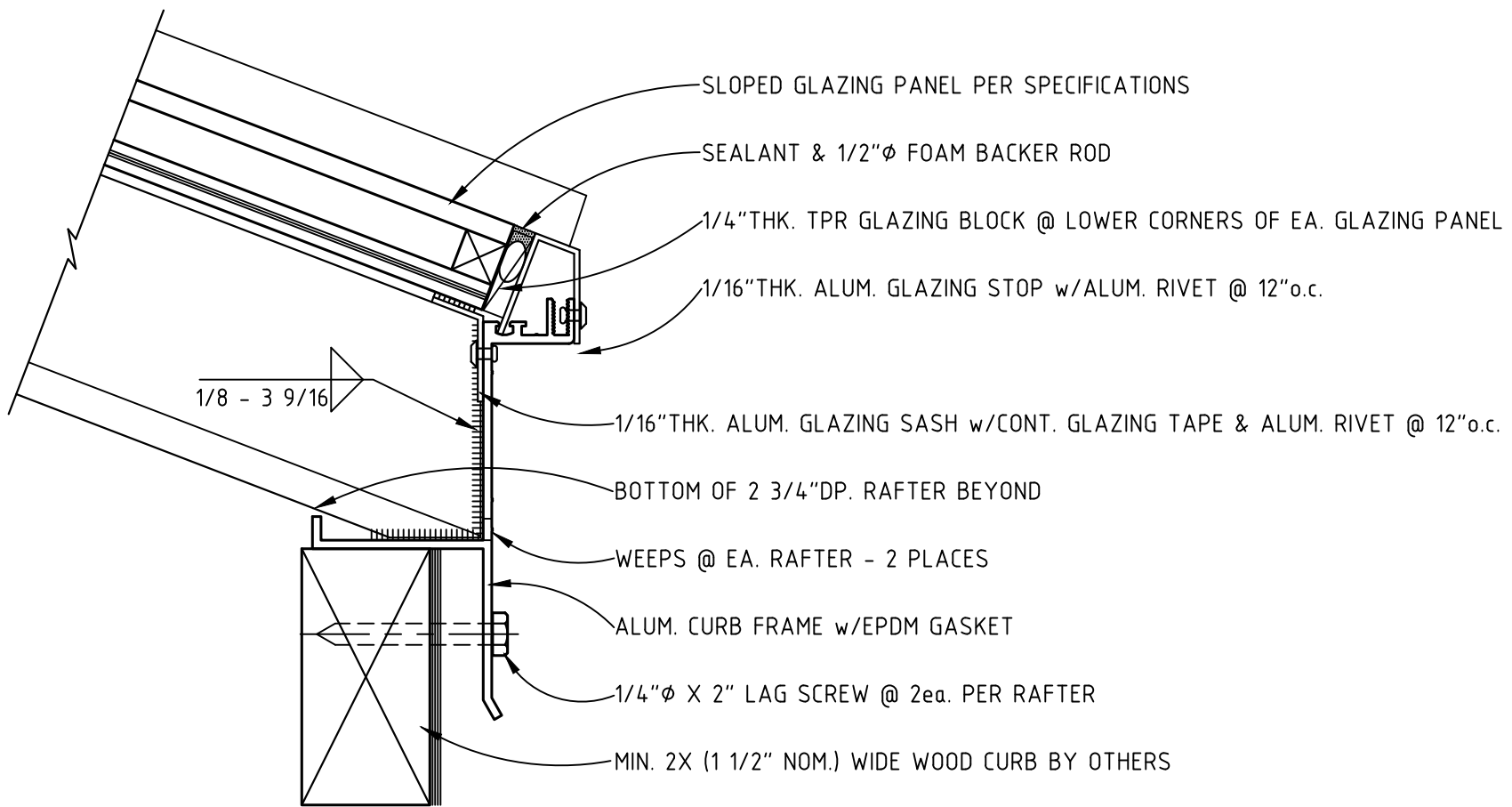


UNIT END ELEVATION

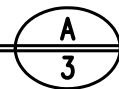
SCALE: 3/4" = 1'-0"




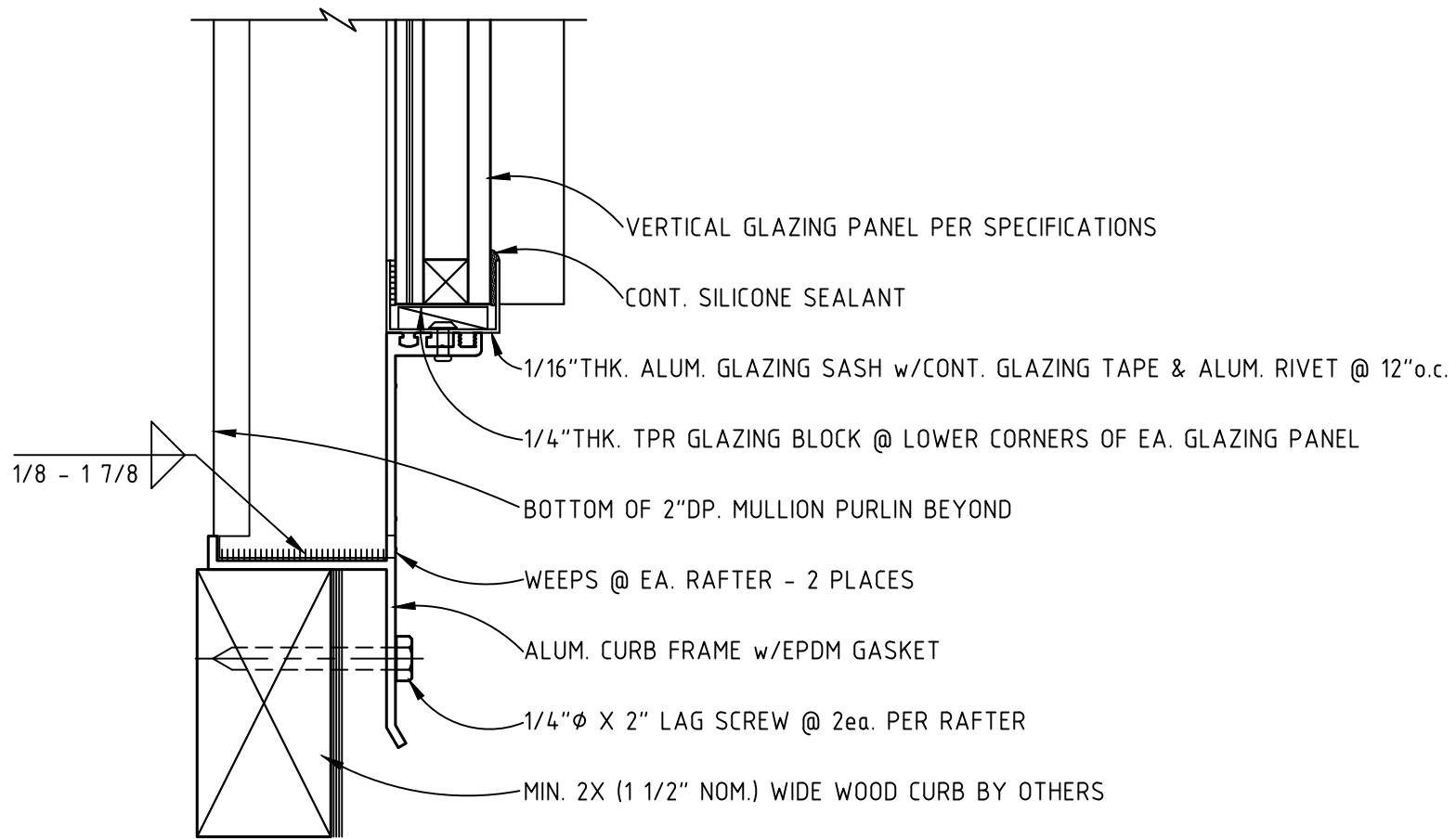
CUSTOMER NAME :		CUST. ADDRESS :		CUSTOMER PHONE :	
PROJECT NAME :		PROJ. ADDRESS :		CONTACT NAME :	
INDUSTRIAL , COMMERCIAL, RESIDENTIAL & CUSTOM SKYLIGHTING SYSTEMS		2995 AIRWAY AVENUE, SUITE B COSTA MESA, CALIFORNIA 92626 Phone (949) 629-4090 Fax (949) 629-4088		REV. #	△
		JOB # :	DATE :	PAGE : 2	
				OF : 7	



SLOPE SILL SECTION
 HALF SCALE



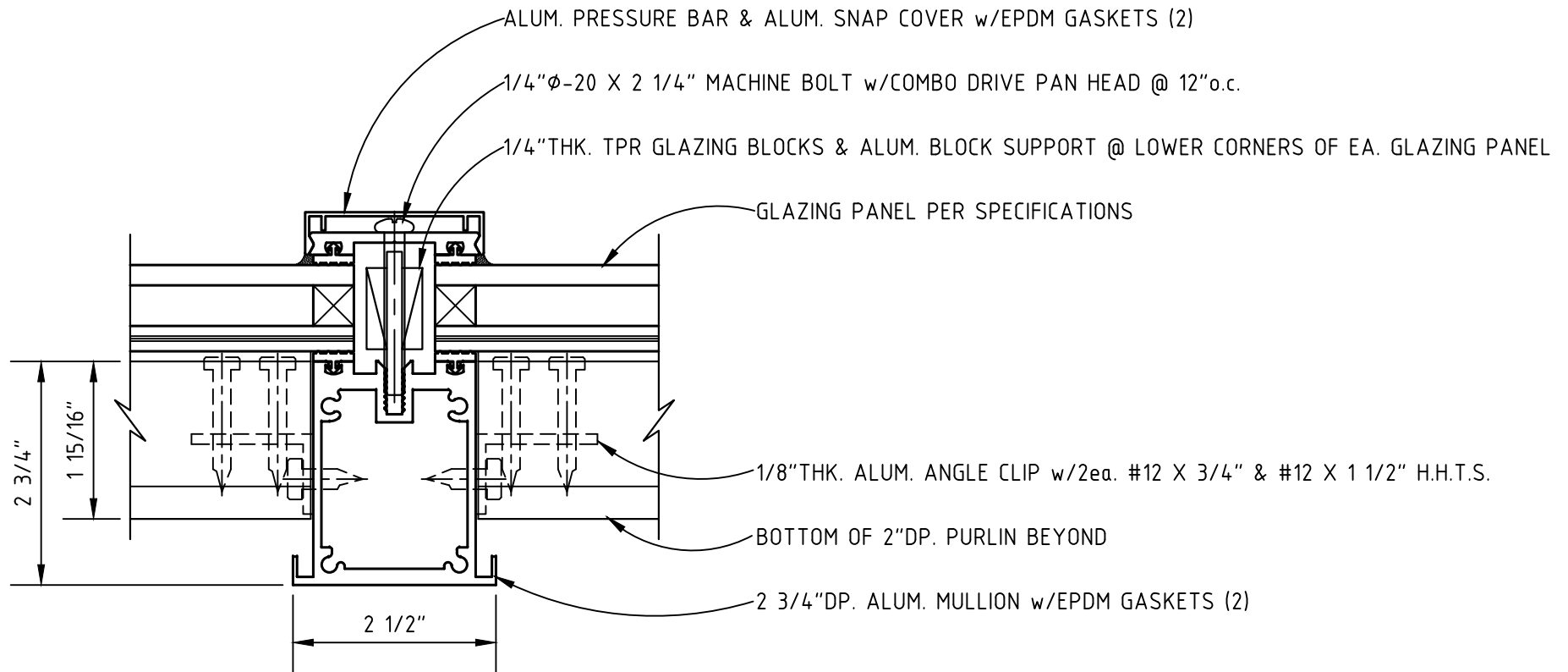
CUSTOMER NAME :	CUST. ADDRESS :	CUSTOMER PHONE :			
PROJECT NAME :	PROJ. ADDRESS :	CONTACT NAME :			
INDUSTRIAL , COMMERCIAL, RESIDENTIAL & CUSTOM SKYLIGHTING SYSTEMS	2995 AIRWAY AVENUE, SUITE B COSTA MESA, CALIFORNIA 92626 Phone (949) 629-4090 Fax (949) 629-4088	REV. # 	JOB # :	DATE :	PAGE : 3 OF : 7



VERTICAL SILL SECTION A
 HALF SCALE 4

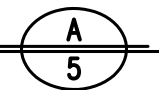



CUSTOMER NAME :	CUST. ADDRESS :	CUSTOMER PHONE :			
PROJECT NAME :	PROJ. ADDRESS :	CONTACT NAME :			
INDUSTRIAL , COMMERCIAL, RESIDENTIAL & CUSTOM SKYLIGHTING SYSTEMS	2995 AIRWAY AVENUE, SUITE B COSTA MESA, CALIFORNIA 92626 Phone (949) 629-4090 Fax (949) 629-4088	REV. #	JOB # :	DATE :	PAGE : 4 OF : 7

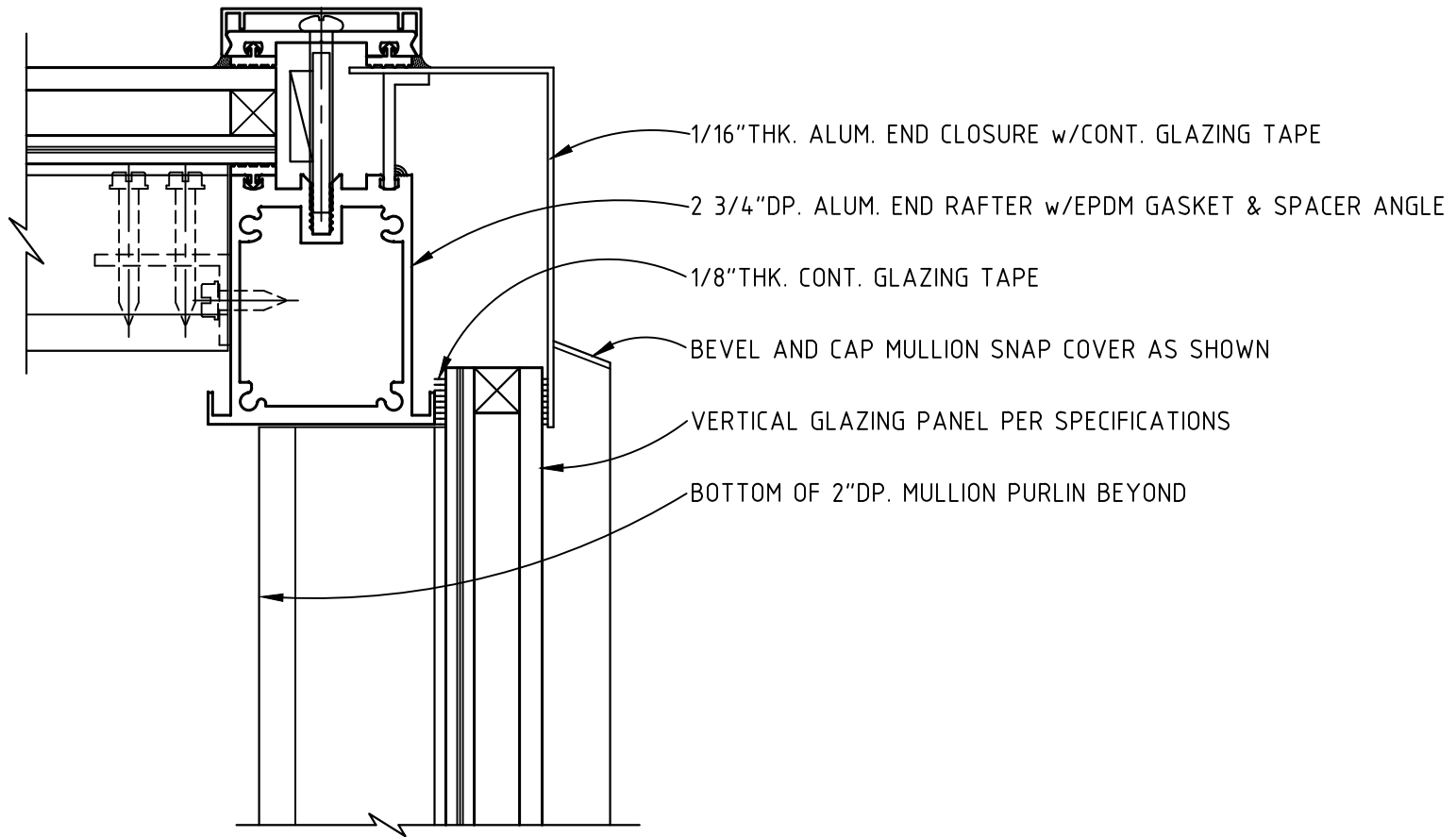


UNIT RAFTER SECTION

HALF SCALE



CUSTOMER NAME :	CUST. ADDRESS :	CUSTOMER PHONE :			
PROJECT NAME :	PROJ. ADDRESS :	CONTACT NAME :			
INDUSTRIAL , COMMERCIAL, RESIDENTIAL & CUSTOM SKYLIGHTING SYSTEMS	2995 AIRWAY AVENUE, SUITE B COSTA MESA, CALIFORNIA 92626 Phone (949) 629-4090 Fax (949) 629-4088	REV. # 	JOB # :	DATE :	PAGE : 5 OF : 7




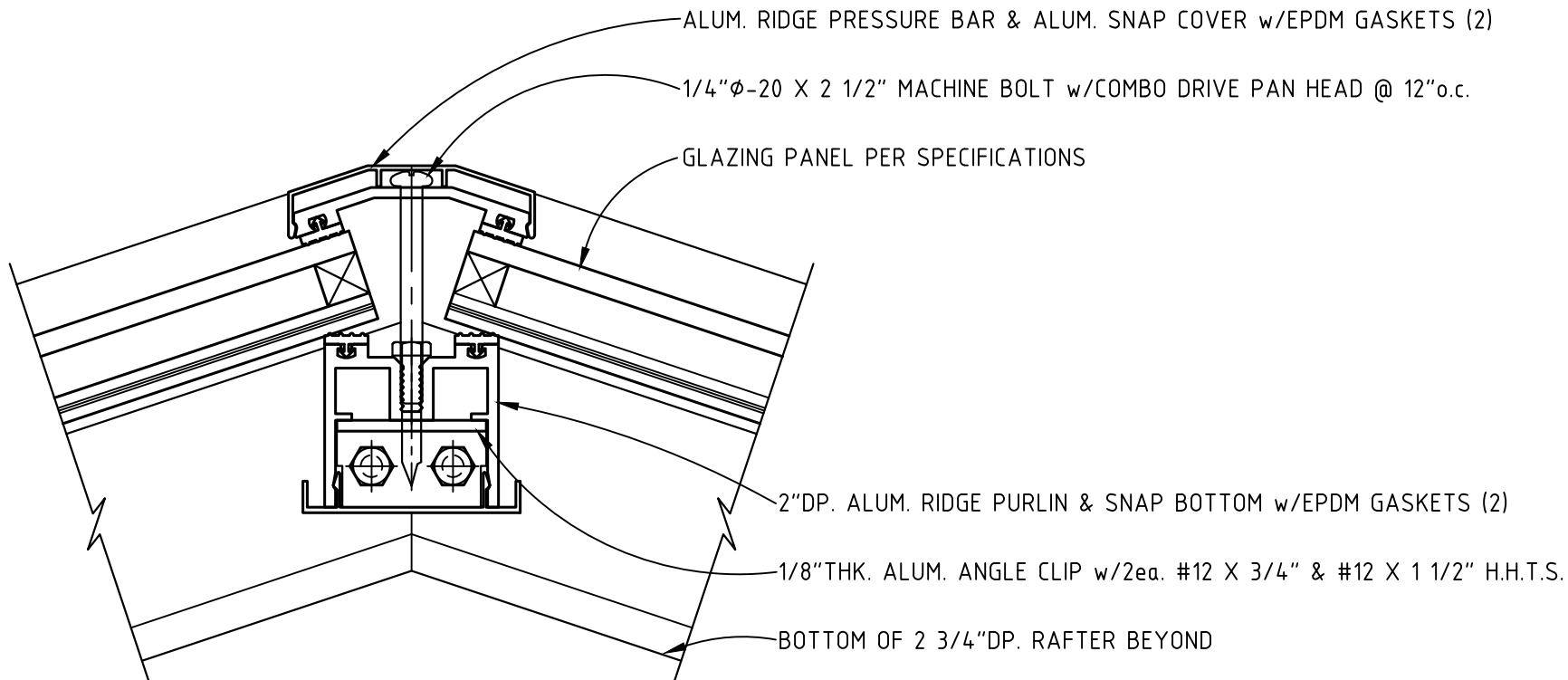
END RAFTER SECTION

HALF SCALE

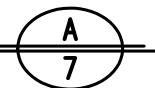
A
6




CUSTOMER NAME :	CUST. ADDRESS :	CUSTOMER PHONE :			
PROJECT NAME :	PROJ. ADDRESS :	CONTACT NAME :			
INDUSTRIAL , COMMERCIAL, RESIDENTIAL & CUSTOM SKYLIGHTING SYSTEMS	2995 AIRWAY AVENUE, SUITE B COSTA MESA, CALIFORNIA 92626 Phone (949) 629-4090 Fax (949) 629-4088	REV. # 	JOB # :	DATE :	PAGE : 6 OF : 7



UNIT RIDGE SECTION
 HALF SCALE



CUSTOMER NAME :	CUST. ADDRESS :	CUSTOMER PHONE :			
PROJECT NAME :	PROJ. ADDRESS :	CONTACT NAME :			
INDUSTRIAL , COMMERCIAL, RESIDENTIAL & CUSTOM SKYLIGHTING SYSTEMS	2995 AIRWAY AVENUE, SUITE B COSTA MESA, CALIFORNIA 92626 Phone (949) 629-4090 Fax (949) 629-4088	REV. # 	JOB # :	DATE :	PAGE : 7 OF : 7